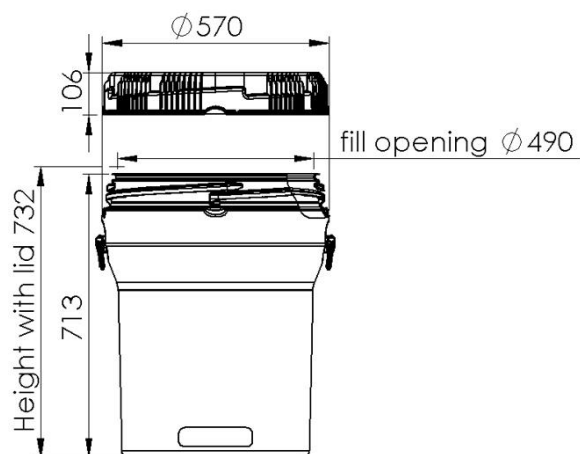


# 7512 with handles

## 120 litre Nestable drum



For dimensional tolerances see table on next page

Product part	Product code	Description	Materials
Drum	7512B00-004	120 litre nestable drum	HDPE
Lid	A7502-14-605	Screw lid	HDPE
Gasket	H14-330	Sealing gasket	EPDM
Handle	6800	Handle	HDPE

Capacity	Litres	US Gallons
Brimful	136	35.9
When closed	126	33.3

Weight	Grams	Ounces
Drum	4260	150.27
Lid	1985	70.02
Gasket	212	7.48
Handles	90	3.18
Total	6547	230.94

Colours	Colour code	PMS references
Container	White 004	/
Lid	Blue 605	301c
Handle	Black 101	/

Hazardous material information	
Hazardous material type	Solids
Packaging group	I – II – III
UN marking	1H2/X100/Y150/Z150/S/--/NL/CURTEC 170612
Maximum gross mass (kg)	X=100 Y=150 Z=150

Product identification	Container	Lid
Manufacturer ID	Bottom	--
Country of origin	Bottom	--
Product code	Bottom	--
Recycle logo / Material type	Bottom	Inside
Date clock	Bottom	Inside
Food logo	Bottom	--
Material track clock	Bottom	--
UN-mark	On side wall	--

Other information
Maximum filling temperature is 70°C/ 158°F
Contents must have cooled to 30°C/ 86°F before containers can be closed and stacked
DoC available on request
UN certificate available on request
MVTR declaration available on request
Other colours available on request
User manual available on request

Wall thickness	mm
Minimal wall thickness	≥1.9
Nominal wall thickness	≥2.7

Dimensional tolerances	%
Height	±2.5
Diameter	±1.5

Weight tolerance
All products have a tolerance of ±4% of the initial weight mentioned on this data sheet

#### DISCLAIMER

CurTec manufactures packaging material for a wide range of purposes. This declaration is restricted to the packaging material as it leaves the production facility. CurTec has neither control over final end use of the product nor over processing conditions. It is therefore the responsibility of the end user to check compliance with the relevant regulations and to validate material performance in the end application through proper end use testing.

© 2018 Property of CurTec International B.V. All rights explicitly reserved, it is not allowed to copy or communicate to other parties without written consent of CurTec.